

Lava Oven Module



HAND TOOLS REQUIRED FOR INSTALLATION



Yıldız Uçlu Tornavida

Sarıllı Markap

Metre

ACCESSORIES LIST



18mm
Minifix Gövdesi
(24 adet)

Minifix Nili
(16adet)

Kavala
(16 adet)

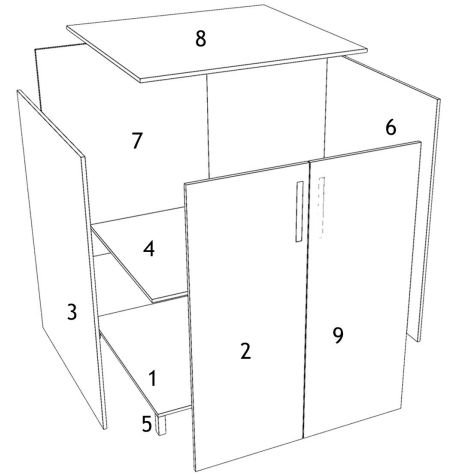
Kulp
(1adet)

Kulp Vidası
(2adet)

3.5x18 Vida
(16 adet)

3.5x30 Vida
(30 adet)

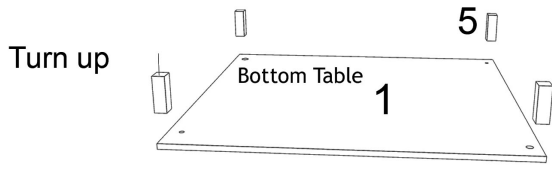
Çekmece Rayı
(4 adet)



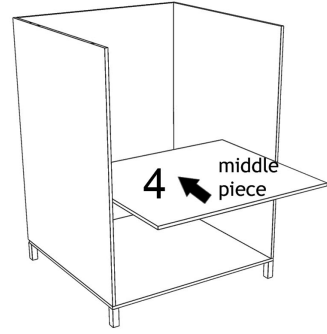
PART NUMBER PART NAME

- 1- Bottom Table
- 2- Left cover
- 3- Left side piece
- 4- Middle piece
- 5- Foot
- 6- Right side piece
- 7- Backrest
- 8- Top Panel
- 9- Right cover

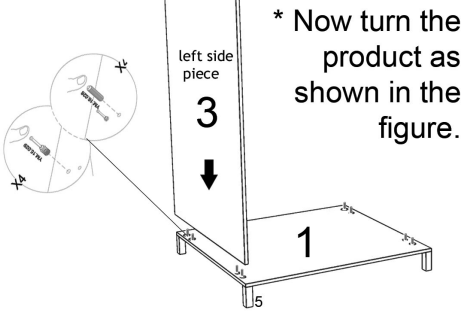
1- *You must start the installation with part number 1. 5-



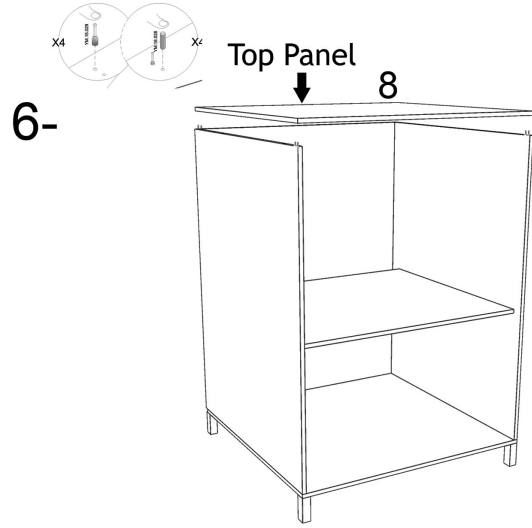
*Feet must be attached to the bottom panel



2-

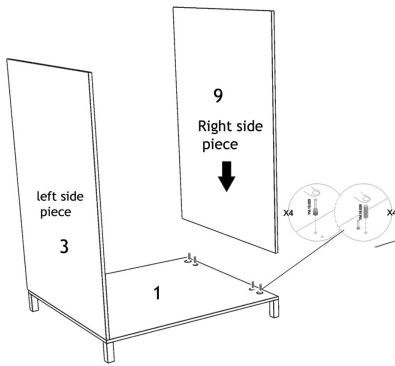


- Connect panel 3 to panel no 1.

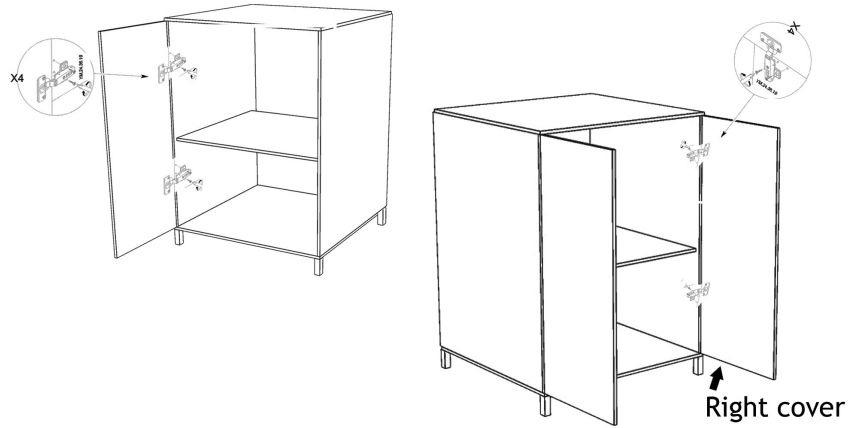


- Top panel number 8 should be installed as shown in the figure.

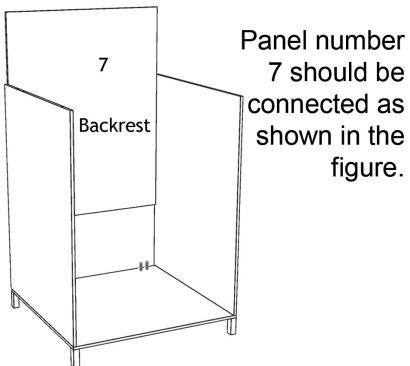
3-



7-



4-



8-

